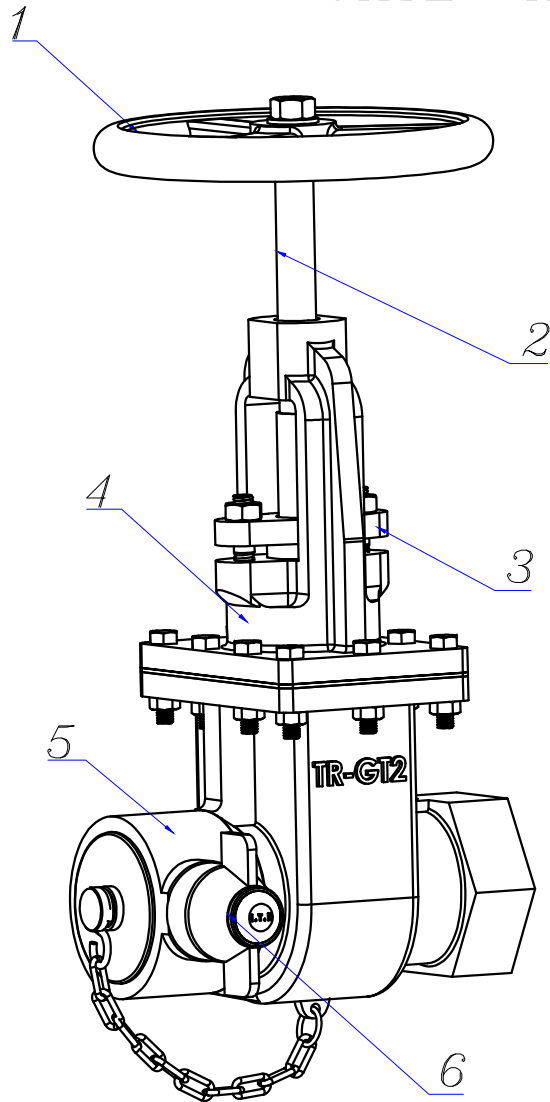


GATE VALVE MODEL TR-GT2



No.	PART NAME	MATERIAL
1	HANDWHEEL	D.CAST IRON
2	STEM	S.STEEL
3	GLAND	GUNMETAL
4	YOKE	GUNMETAL
5	BODY	GUNMETAL
6	RELEASE PLUNGER	BRASS

INLET CONNECTION : 2 1/2"

TEST PRESSURE : 22 BAR

WORKING PRESSURE : 7-12 BAR

NOTE: GATE VALVE MODEL TR-GT2

Date	Design	Drawn	Checked	REV.



I.T.E



TOL: DIN-7168m

Size: A4

Scale: —

Part Name: Total	Drawing No: GT1-01	Sheet: 1 Of 1
Material: As above chart	PROJECT:	QTY. :